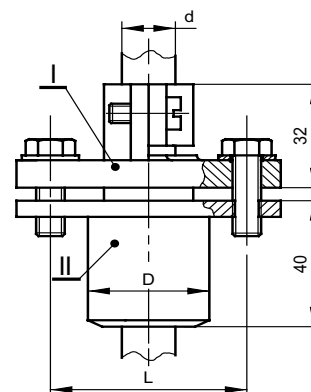


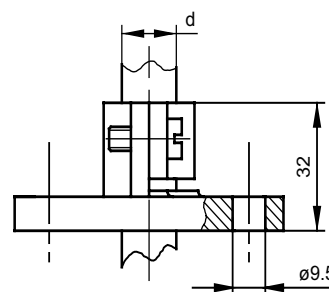
Compression fittings and mounting brackets are used as the additional accessories for temperature sensors without threaded fittings and flanges. Used for sensor mounting in place of measurement, they allow immersion length adjustment since they can be mounted anywhere along the sheath. Compression fittings assure an excellent seal up to 0,1 Mpa.

Specification

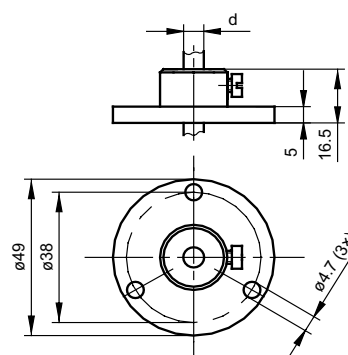
UZ-11 mounting bracket			
Material: flange I – cast steel L II 600, flange II – steel St3S			
Seal: teflon ring PTFE – up to 200°C in air			
Option: ceramic rope – up to 650°C in air – type UZ-11T			
Type	L [mm]	d [mm]	D [mm]
UZ-11-15	55	16	35
UZ-11-22	70	23	40
UZ-11-32		33	50



UZ-21 mounting bracket			
Material: flange I – cast steel L II 600			
clamping ring – cast steel L II 600			
Type	Sheath diameter [mm]	L [mm]	d [mm]
UZ-21-15	15	55	16
UZ-21-22	22	70	23
UZ-21-32	32	70	33
UZ-21-26-29	26-29	70	29



UZK-1 flanged fitting	
Material: aluminium (nickel plated)	
Mounting: screw	
For tube d [mm] = 6, 8	



Product code

1	<input type="text"/>	Fitting type	
		UZ-21, UZ-11, UZ-11T	mounting bracket
		UZK-1	flange fitting (only for d [mm]: 6-10)
2	<input type="text"/>	Tube diameter d	
		22	22 mm
			other parameters acc. to requirements

1 2

UZ - -

Ordering example: **UZ-11-22**