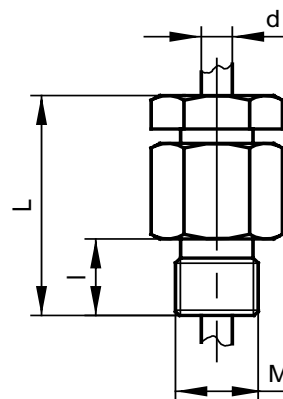


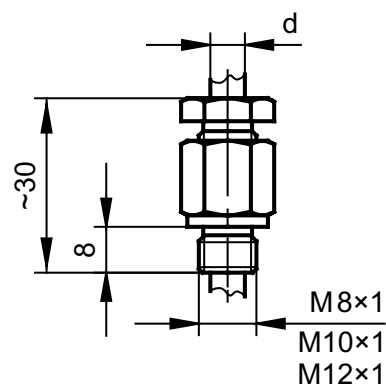
Compression fittings and mounting brackets are used as the additional accessories for temperature sensors without threaded fittings and flanges. Used for sensor mounting in place of measurement, they allow immersion length adjustment since they can be mounted anywhere along the sheath. Compression fittings assure an excellent seal up to 0,1 Mpa.

### Specification

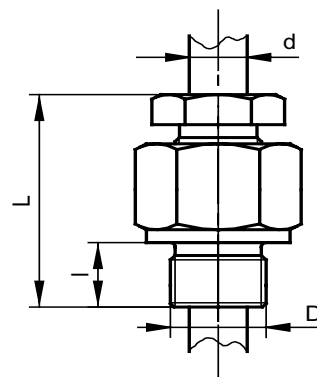
UG-1 compression fitting		
Material: zinc-plated steel A10		
Seal: ceramic rope		
Type	Thread	d [mm]
UG-1-6	M16x1,5	6,0
UG-1-8	M16x1,5	8,0
UG-1-12	M20x1,5	12,0
UG-1-15	M24x2	15,0
UG-1-20	M30x2	20,0



UG-3 compression fitting		
Material: stainless steel 1.4541 (1H18N9T)		
Seal: stainless steel ring 1.4541		
Type	Thread	d [mm]
UG-3-1; 1,5; 2	M8x1	1; 1,5; 2,0
UG-3-3	M10x1	3,0
UG-3-45		4,5
UG-3-6		6,0
UG-3-8	M12x1	8,0



UG-8 compression fitting				
Material: stainless steel 1.4541 (1H18N9T)				
Seal: stainless steel ring 1.4541				
d [mm]	D	L [mm]	l [mm]	SW
ø6	M20x1,5 G½	50	15	30
ø8				
ø10				
ø12				
ø14	M27x2 G¾	55	20	36
ø15				



**Product code**

1	<input type="text"/>	<b>Fitting type</b>	
		1	1
		3	3
2	<input type="text"/>	<b>Tube diameter</b>	
		6	6 mm
			other parameters acc. to requirements
3	<input type="text"/>	<b>Thread dimension</b>	
		G½	G½
			other parameters acc. to requirements

1      2      3

UG -  -  -

Ordering example:

**UG-1-6-G½**