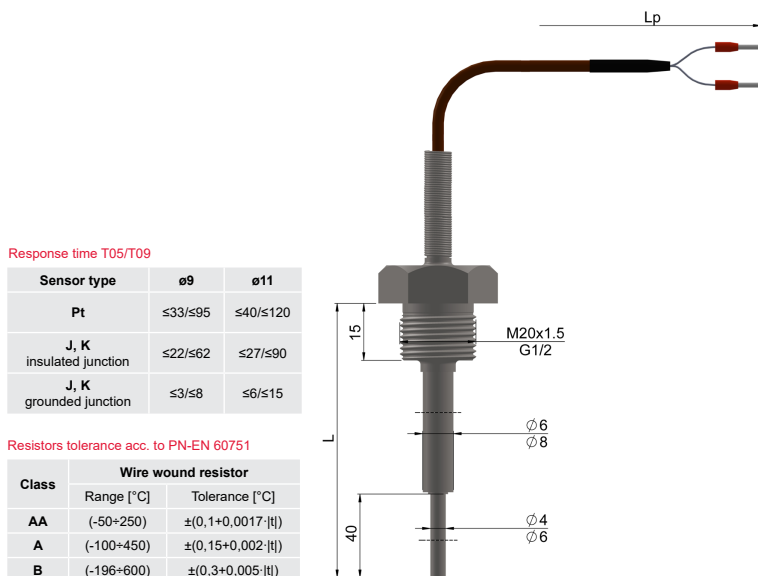


Temperature sensors of machinery and device parts TOPGE-7, TONGE-7

Dane techniczne

| Measuring range / sensing element | |
|--|--|
| (-50 ÷ 180) °C | Pt100, Ni100 class B; silicone wire |
| (-50 ÷ 400) °C | Pt100 class B; fiberglass wire |
| Sheath | |
| – material: steel 1.4541 | |
| – thermowell diameter d/d [mm]: $\varnothing 8/\varnothing 6, \varnothing 6/\varnothing 4$ | |
| – length L [mm]: 55÷250 | |
| Lead wire | |
| – Cu wire: 2, 4x0,22 mm ² in silicone insulation | |
| – Cu wire: 2, 4x0,22 mm ² in fiberglass insulation with metal braid | |
| – length L _p =1,5m (standard) | |
| – wires resistance Cu ~0,14 Ω/m=~-0,36 °C | |
| Options | |
| – Pt500, Pt1000, Ni1000 | |
| – other lead wire insulation types: PVC, teflon, acc. to requirements | |
| – 3-, 4-wire connection | |
| – Pt100: class A (-30 ÷ 300) °C, class AA (0 ÷ 150) °C | |



Ordering code

| Temperature sensor | T | ... | GE-7 | - | ... | ... | ... | ... | ... | ... | ... |
|--------------------------------------|----|-----|--------------|---|-----|-----|-----|-----|-------|---------|-------|
| Resistor Pt | OP | | | | | | | | | | |
| Resistor Ni | ON | | | | | | | | | | |
| Sheath length L [mm] | | | 250* | | | | | | | | |
| Thermowell diameter d/d [mm] | | | 6/4, 8/6 | | | | | | | | |
| Thread dimension | | | G½; M20x1,5* | | | | | | | | |
| Cable insulation: silicone | | | | | | | | Si | | | |
| Cable insulation: braided fiberglass | | | | | | | | Ws | | | |
| Resistor class | | | | | | | | | A, B* | | |
| Measuring circuit | | | | | | | | | | 2, 3, 4 | |
| Cable length L _p [m] | | | | | | | | | | | 1,5m* |

* or others acc. to requirements

Ordering example

TOPGE-7-100-6/4-G½-Si-B-2-2m sensor with Pt100, class B, thermowell length L=100 mm and 6/4 mm diameter, 2-wire connection connection, with cable in silicone insulation, lead wire length L_p= 2m, threaded connector G½

TOPGE-7-250-8/6-M20x1,5-Ws-A-3-1,5m sensor with Pt100, class A, with thermowell length L=250 mm and 8/6 mm diameter, 3-wire connection, with cable in fiberglass insulation, lead wire length L_p=1,5m, threaded connector M20x1,5