

Electrical parameters transmitter **DigiRail-VA**

Technical description

Characteristic

- 2 current and voltage analog inputs
- 3 outputs: (4 ÷ 20) mA, (0 ÷ 10) V, RS485
- signal retransmission (standard 10:1)
- current, voltage and frequency measurement
- active, reactive and apparent power measurement
- power factor measurement
- isolated measuring inputs 2500 V AC
- USB interface for configuration
- mounting on the DIN 35mm rail

Input

- current: (0 ÷ 5) A AC
- voltage: (0 ÷ 300) V AC
- frequency: (45 ÷ 65) Hz

Accuracy

- RMS value of voltage, current, active, reactive and apparent power:
 - a) reading via RS485: 0,25% of range
 - b) reading via (4 ÷ 20) mA, (0 ÷ 10) V: 0,5% of range
- value of power factor and frequency:
 - a) reading via RS485: 0,5% of range
 - b) reading via (4 ÷ 20) mA, (0 ÷ 10) V: 1% of range

Power source

(10 ÷ 40) V DC
 typical 24 V DC - power consumption 50 mA

Operating conditions

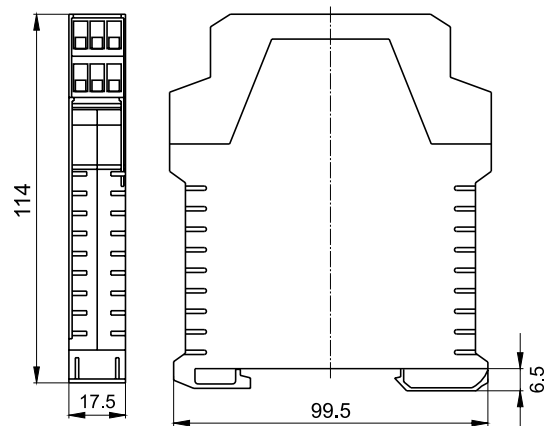
- temperature: (0 ÷ 60) °C;
- humidity: (0 ÷ 90) % RH without condensation

Dimension [mm]

99,5x114x17,5

Weight [g]

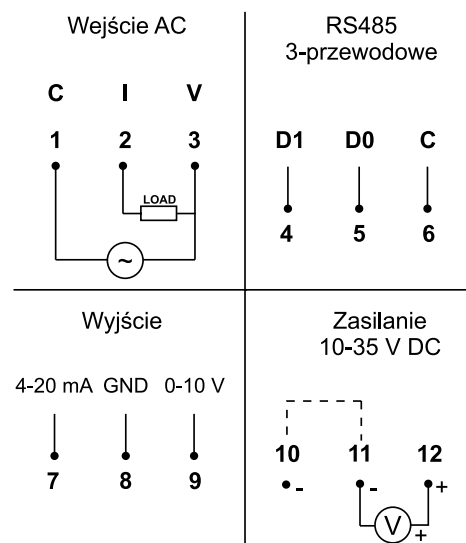
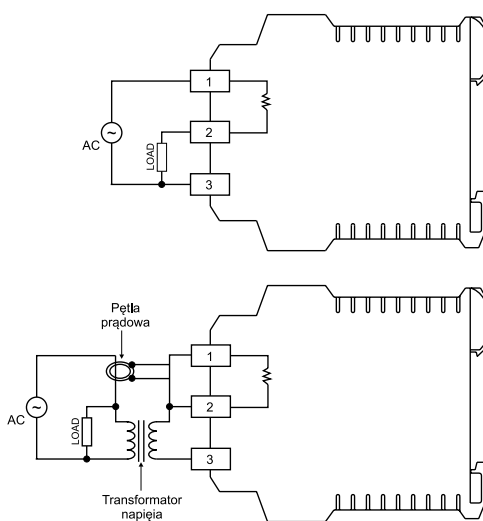
96



RECORDERS

J

Wiring diagram



Ordering example

Electrical parameter transmitter DigiRail-VA