

Industrial humidity and temperature transmitter **EE31**

Technical description

HUMIDITY AND AIR TEMPERATURE TRANSMITTER

Characteristic

- high accuracy
- stability of measurements
- humidity measuring range: (0 ÷ 100) % RH
- temperature measuring range: (-40 ÷ 180) °C
- RS232 interface
- calculating of many measurement values

Measuring range

- temperature: (-40 ÷ 60) °C; wall mounting
 (-40 ÷ 80) °C; duct mounting
 (-40 ÷ 180) °C; separated duct mounting
- humidity: (0 ÷ 100) % RH

Accuracy

- temperature: (±0,3 ÷ 0,55) °C
- humidity: standard calibration
 ±2% RH (0 ÷ 90) % RH; ±3% RH (90 ÷ 100) % RH
- special calibration:
 ±1% RH (0 ÷ 90) % RH; ±2% RH: (90 ÷ 100) % RH

Output

(0 ÷ 5) V, (0 ÷ 10) V, (0 ÷ 20) mA, (4 ÷ 20) mA for (0 ÷ 100) % RH
 for (-40 ÷ 60/80/180) °C

Power source

(8 ÷ 48) V DC, (12 ÷ 35) V AC

Operating conditions

- temperature: (-40 ÷ 60) °C (electronics)
- humidity: (0 ÷ 100) % RH

Housing

- material: polycarbonate, IP65

Special calibrate

±1% RH (0 ÷ 90) % RH
 ±2% RH (90 ÷ 100) %

Calculation options

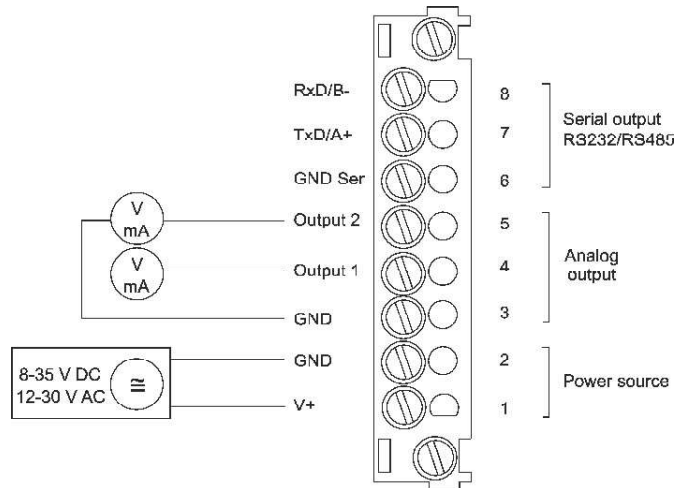
- dew point temperature (Td)
- freeze temperature (Tf)
- wet thermometer temperature (Tw)
- water steam pressure (e)
- mixture ratio (r)
- absolute humidity (dv)
- specific enthalpy (H)

Additional functions

- RS485 interface
- LCD display
- alarm output 6 A/ 250 V



Wiring diagram



Temperature range (T)		
(-40 ÷ 60) °C /T02/	(-30 ÷ 120) °C /T09/	(0 ÷ 80) °C /T21/
(-20 ÷ 50) °C /T03/	(-20 ÷ 120) °C /T10/	(-40 ÷ 80) °C /T22/
(0 ÷ 50) °C /T04/	(-40 ÷ 120) °C /T12/	(-20 ÷ 80) °C /T24/
(0 ÷ 100) °C /T05/	(-20 ÷ 100) °C /T14/	(-40 ÷ 160) °C /T33/
(0 ÷ 60) °C /T07/	(20 ÷ 100) °C /T15/	(20 ÷ 140) °C /T40/
(-30 ÷ 70) °C /T08/	(-0 ÷ 120) °C /T16/	(-40 ÷ 180) °C /T52/

