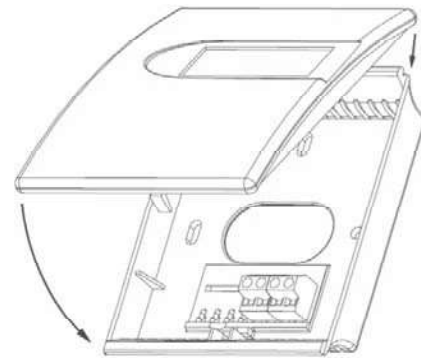


## Humidity and temperature transmitter **EE10**

### Technical description

<b>Characteristic</b>
– high accuracy and long term stability – indoor climate control – fast and easy installation
<b>Measuring range</b>
– temperature: (-5 ÷ 50) °C – humidity: (0 ÷ 95) % RH
<b>Accuracy (for T = 20 °C i U = 24 V DC)</b>
– temperature: voltage output ±0,25 °C current voltage ±0,4 °C – humidity: ±2% RH (40 ÷ 60) % RH ±3% RH remaining range
<b>Output</b>
– temperature: (4 ÷ 20) mA lub (0 ÷ 10) V, (0 ÷ 50) °C or RTD passive for temperature – humidity: (4 ÷ 20) mA lub (0 ÷ 10) V
<b>Power source</b>
(15 ÷ 40) V DC or 24 V AC ±10% for (0 ÷ 10) V (20 ÷ 28) V DC for (4 ÷ 20) mA
<b>Housing</b>
– material: polycarbonate, IP20
<b>Operating conditions</b>
– temperature: (-5 ÷ 55) °C – humidity: (0 ÷ 95) % RH without condensation
<b>Size [mm]</b>
85x100x26
<b>Additional functions</b>
– LCD display



HUMIDITY AND AIR  
 TEMPERATURE TRANSMITTER

E

### Ordering code

Humidity and temperature transmitter	EE10	- ...	- ...	- ...
Measurement:				
humidity and temperature	FT			
temperature	T			
humidity	F			
humidity and passive temperature	PP			
Output:				
(0 ÷ 10) V				3
(4 ÷ 20) mA				6
Pt100 class A				A
Pt1000 class A				C
Display: none				no sign
LCD display				D04

### Ordering example

Humidity and temperature transmitter **EE10-FT-6-D04**