

## Heating unit ZGP

### Technical description

#### Characteristic

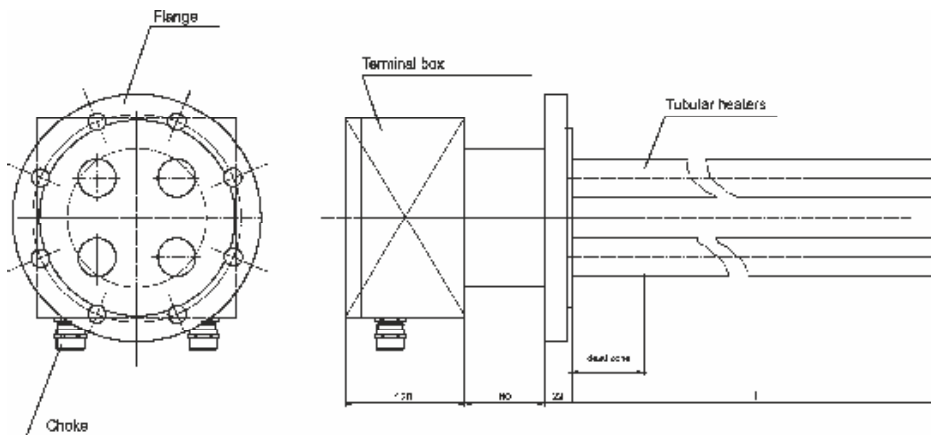
- mineral insulated construction
- ceramic insert
- high efficiency
- mounting with: flange, thread or handle
- insert replacement without disassembly
- degree of head protection: IP66
- the radiator can be extended with a thermostat

#### Application

Mineral insulated radiators are using for heating:  
 - oil, water and gas



<b>Power</b>	(200 ÷ 6000) W
<b>Voltage</b>	(230 ÷ 500) V
<b>Length [mm]</b>	100+3000
<b>Diameter [mm]</b>	ø16, 20, 35, 40, 50, other
<b>Material</b>	steel: 1.4301, 1.4404, 1.4571
<b>Avaiable threads</b>	G½, G1½, M42x2, other
<b>Connection head</b>	metal cover
<b>Degree protection</b>	IP66
<b>Dead zone</b>	100 mm
<b>Working conditions</b>	horizontal, vertical
<b>Working temperature</b>	max. 200 °C
<b>Thermostats</b>	TR (regulation), STB (check)



### Ordering code

Heating system	ZGP - ... - ... - ... / ... - ...
Diameter* [mm]	
Length* [mm]	
Power* [W]	
Voltage* [V]	
Connection type*: threaded flange	

\* Acc. to requirements

### Ordering example

Heating unit ZGP-4xø50-1400-22,5kW/400V