

Heating and cooling units ZGH

Technical description

Characteristic

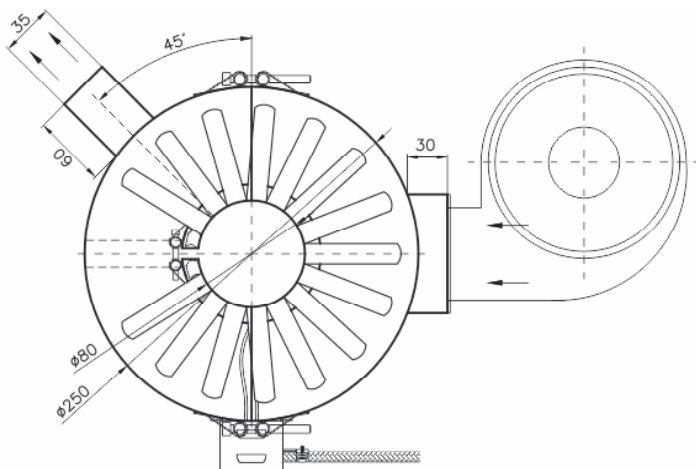
- compact design
- replaceable heating inserts equipped with brass / steel heat sinks
- built-in fan improving thermodynamic properties heater

Application

- Heating and cooling units are used in:
- extruder cylinders



Power	(100 ÷ 10000) W
Voltage	230 V; 380 V; 3x380 V; 400 V
Length [mm]	100÷4000
Diameter [mm]	ø16, 32, 36, 45, 50, inna
Max. surface loading	7 W/cm ²



Ordering code

Heating and cooling unit	ZGH- ... - ... - ... / ... - ... - ...
Diameter* [mm]	
Width* [mm]	
Power* [W]	
Voltage* [V]	
Type of current leads*:	
with block	A
screw: M5	B
wire	C
Fan:	230 V, 400 V*

* Acc. to requirements

Ordering example

Heating and cooling unit ZGH-ø170-300-3000W/400V-A